

Miele

36" Extra-Slim Insert Hood

DA 2698



Shown: DA 2698 in Stainless Steel
Please note: This information is subject to change

mieleusa.com
Specification Sheets TRS 05292018

36" Extra-Slim Insert Hood

SPECIFICATIONS	
Overall Unit Dimensions	34 ⁵ / ₈ " (880 mm) W x 13 ¹ / ₂ " (342 mm) H x 11 ¹ / ₂ " (293 mm) D
Built-In	
Minimum Opening Dimensions	34 ¹ / ₁₆ " (865 mm) W x 12 ⁵ / ₈ " (320 mm) H x 10 ⁷ / ₈ " (276 mm) D
Fan	
Fan Speeds	4
Maximum CFM	625 CFM, (Reducing Collar is available to reduce Air flow to less than 400 CFM)
Duct	
Recommended Duct Diameter	6" (150 mm)
Electrical	
Electrical Requirements	120V, 60Hz, 15A
Power Cord	Molded NEMA 5-15 plug, 2.5 ft (0.75 m)
Shipping	
Shipping Weight	35.5 lbs
Shipping Dimensions	37 ¹³ / ₁₆ " W x 16" H x 18 ¹ / ₈ " D
Optional Accessories	
Recirculation Kit (Round)	DUU 150
Recirculation Kit (Rectangle)	DUU 151
OdorFree Charcoal Filter	DKF 19-900
CFM Reducing Collar	R2000
Support	
Call Miele	(800) 999-1360
Miele Website	www.mieleusa.com
20/20 Link	2020technologies.com



DA 2698
Item 28269855USA

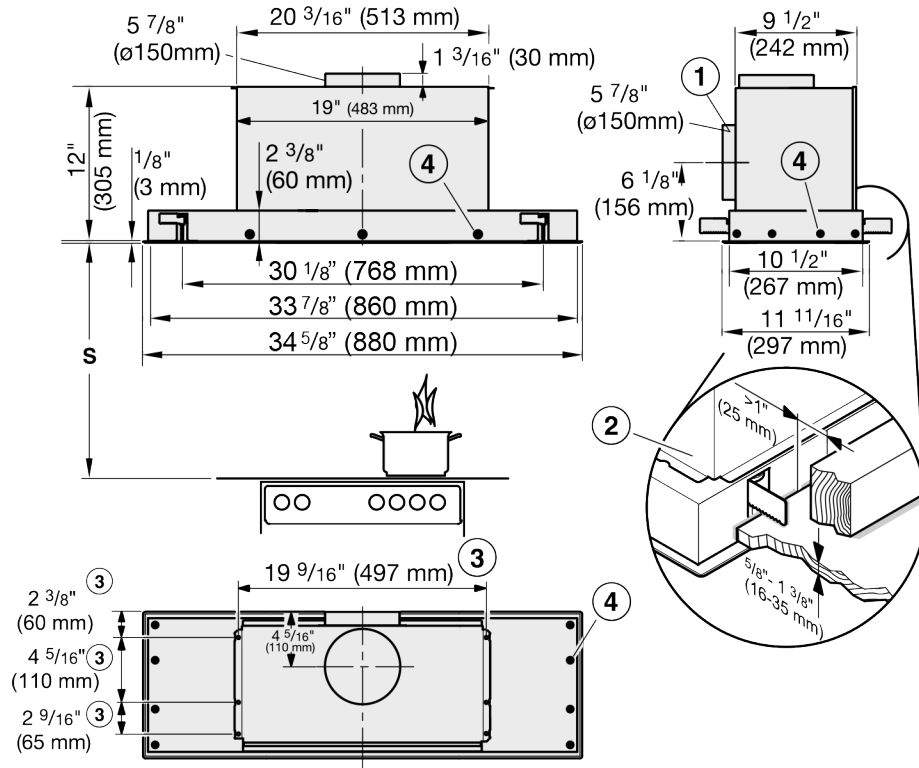


DA 2698 BRWS
Item 28269835USA

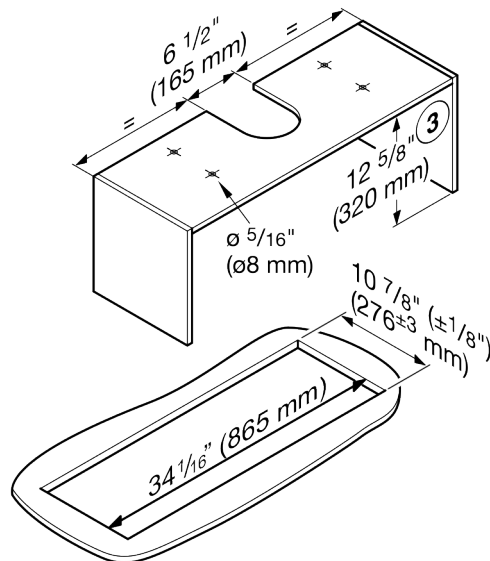
36" Extra-Slim Insert Hood

INSTALLATION SPECIFICATIONS

Product Details



Niche/Cutout Details



- ① The ducting can also be connected at the back.
- ② The ventilation hood is fastened in the cut-out using clamps. A solid installation surface, e.g., made of wood, is required. Make sure that the structure can support the load. Around the clamps, components such as supports and ducting must be at least 1" (25 mm) from the cut-out.
- ③ Alternatively, the ventilation hood can be secured to four fixing points on an interim shelf.
- ④ There are additional fixing points on the installation surface.

36" Extra-Slim Insert Hood

INSTALLATION SPECIFICATIONS

Distance Between Cooktop and Ventilation Hood (S)

Provided a larger distance is not given by the manufacturer of the cooktop, follow the minimum safety distances between a cooktop and the bottom of the hood.

Please also observe the information contained in the "IMPORTANT SAFETY INSTRUCTIONS" section.

Cooking appliance	Minimum distance S	
	Miele appliance	Non-Miele appliance
Electric Cooktops	24" (610 mm)	
Electric Barbeques and Fryers	26" (660 mm)	
Multiburner Gas Cooktops ≤ 43,000 BTU/hr (12.6 kW), no burner > 15,000 BTU/hr (4.5 kW).	26" (660 mm)	30" (760 mm)
Multiburner Gas Cooktops ≤ 73,800 BTU/hr (21.6 kW), no burner > 16,500 BTU/hr (4.8 kW)	30" (760 mm)	
Multiburner Gas Cooktops > 73,800 BTU/hr (21.6 kW), or one of the burners > 16,500 BTU/hr (4.8 kW)	Not possible	
Single Burner Gas Cooktops ≤ 20,500 BTU/hr (6 kW)	26" (660 mm)	30" (760 mm)
Single Burner Gas Cooktops > 20,500 BTU/hr (6 kW) ≤ 27,600 BTU/hr (8.1 kW)	30" (760 mm)	
Single Burner Gas Cooktops > 27,600 BTU/hr (8.1 kW)	Not possible	